

**Allure LLC**



*Allure*

*Vestra salus – nostra salus*

**Crusher/Separator**

**Allure CD3**

**Passport**

**Moscow, 2020**

# 1. GENERAL INFORMATION AND APPOINTMENT

Separator with crusher is designed for grinding cocoa beans and separating cocoa beans from

cocoa-vella (husks). Crusher/Separator “Allure CD3” is used in confectionery production.

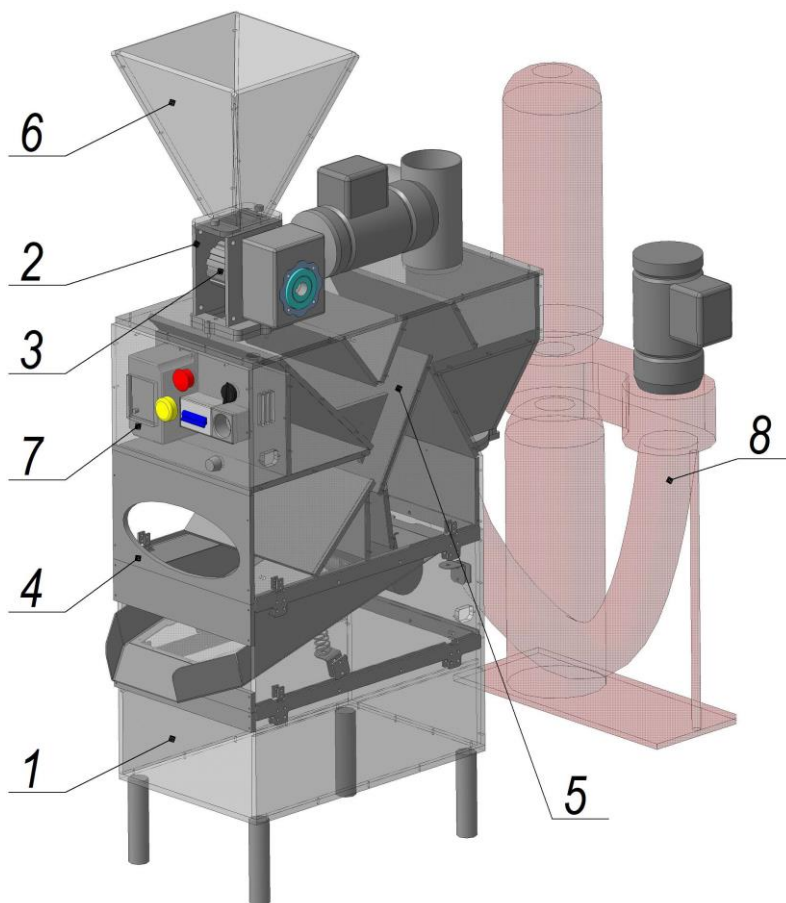


Fig.1. Appearance

The main units of the crusher separator are (Fig. 1)

| Description   | No. |
|---|-----|
| Compartment for accommodating a gastronome container for receiving fine cocoa nibs              | 1   |
| Crushing mechanism  | 2   |
| Crusher roller  | 3   |
| Removable module for separating cocoa nibs into fractions with a tray for unloading cocoa nibs. | 4   |
| Aspiration chamber panels   | 5   |
| Loading hopper  | 6   |

|  |   |
|--|---|
| Control block  | 7 |
| Air injection device<br><b>(Not included in the scope of supply)</b> | 8 |

## 2. MAIN TECHNICAL CHARACTERISTICS

### 2.1 Main characteristics

| No | Parameters and characteristics   | Values        |
|----|--|---------------|
| 1  | Characteristics of the power network (1-phase)   | 230 V ~ 50 Hz |
| 2  | Main drive power, kW   | 0,25          |
|    | Gear ratio of the main drive of the crusher i:   | 30            |
|    | Air injection device, not included in the scope of supply (data are given for models: DC-900A, DC-650BK) | 0,75          |
| 3  | Productivity at one pass, kg / h   | ≈35           |
| 4  | Overall dimensions, mm, not more than:   |               |
|    | Separator  | 340x1580x685  |
|    | Air injection device, not included in the scope of supply (data are given for models: DC-900A, DC-650BK) | 760x450x450   |
| 5  | Weight, not more than  | 74            |

### 2.2. Designation of the product:

Crusher/Separator Allure CD3, where "3" means the current modification.

## 3. COMPLETE SET

**The scope of supply includes:**

1. Product;
2. Passport and Operator's Manual - 1 pc;

**Note! The scope of supply of equipment could be changed in accordance with the Contract.**

#### **4. SAFETY REQUIREMENTS**

**4.1. The equipment meets the requirements of GOST 12.2.124, GOST 24885, GOST R IEC 60204-1, GOST R 51317.6.2, GOST R 51317.6.4.**

#### **5. PRESCRIPTS OF USE**

**The operation of the equipment must be carried out in accordance with the requirements of the Operating Instructions for the each equipment.**

#### **6. PRESCRIPTS FOR TRANSPORT AND STORAGE**

6.1. The equipment can be transported by any type of transport, in accordance with the rules for the carriage of cargo, established for these types of transport.

6.2. The equipment should be stored in the sheltered premises or in the areas with a ceiling.

6.3 Transportation and storage conditions on the part of the impact of climatic factors of the environment of equipment - Standard 15150, the conditions of transportation and storage of the mechanical factors - according to the requirements of GOST 23170.

#### **7. INFORMATION ON RECYCLING**

7.1. The equipment must be disposed after a decision on the impossibility of its further exploitation.

7.2. Persons responsible for the disposal, must ensure that the process of disposal provided according requirements of this standard.

7.3. The disposal of equipment must be carried out by the ways, which exclude the possibility of its recovery and further exploitation.

#### **8. WARRANTY**

8.1. The manufacturer guarantees that the equipment requirements of this specification if the consumer observes the conditions and rules of storage, transportation, installation and operation. Warranty period - 12 months starting from the date of shipment.

8.2. Within the warranty period the product may be deposited in the manufacturer's packaging in accordance with the requirements of IEC 15150 for a maximum of 6 months from the date of sale.

8.3. The manufacturer bears warranty under the following conditions:

- no violation of the manufacturer seals
- the component parts of the device do not have external injuries
- availability of passport stamped by the manufacturer.

8.4. Warranty service is carried out through the organization, carry out the sale of the product.

8.5. The manufacturer assumes no warranty in case of failure of the product because of:

- failure to comply with the operating limitations; as a result of force majeure, or due to the impact of fire (including lightning discharge).

8.6. Complaints are accepted in the following order:

- On receiving the goods from the forwarder, recipient should provide a visual inspection to check the integrity and completeness of the transport packaging;
- In the event of damage to the packaging or incomplete delivery, the complaint shall be drawn up in the presence of the consignee.

8.7. Replacement or repair by the manufacturer is possible if both the following conditions are met:

- failure or malfunction of the equipment discovered during the warranty period.
- fully complied with the rules of storage, transportation and equipment operation (point 6 of this document).

8.8. In case of the product fault during the warranty period, the customer must draw up the act, which should contain:

- Serial number;
- The date of commencement of operation;
- Operating conditions;
- The number of hours until failure;
- Date of the refusal;
- Nature of the failure;
- The alleged cause of the failure;
- The measures taken after a fault.

8.9 Malfunction report should be sent to the manufacturer to eliminate the identified defects.

**9. ACCEPTANCE CERTIFICATE**

Crusher/Separator \_\_\_\_\_ Serial number \_\_\_\_\_ ,

Production date \_\_\_\_\_.

« \_\_\_\_\_ » \_\_\_\_\_ 2017 is declared fit and approved for use.

stamp

Date of shipment \_\_\_\_\_

Deputy Director of quality \_\_\_\_\_  
(Signature)

\_\_\_\_\_  
(Full Name)

**10. INFORMATION ABOUT THE COMMISSIONING**

Without filling in this section, the manufacturer's warranty will not be saved.

Crusher/Separator \_\_\_\_\_ Serial number \_\_\_\_\_ ,

Production date \_\_\_\_\_.

« \_\_\_\_\_ » \_\_\_\_\_ 2017 is declared fit and approved for use.

stamp

Date \_\_\_\_\_

\_\_\_\_\_  
(Signature)

\_\_\_\_\_  
(Full Name)

## 11. MAINTENANCE AND REPAIR

| Date | Description of malfunction | Type of performed work | Full Name of the performer |
|------|----------------------------|------------------------|----------------------------|
|      |                            |                        |                            |
|      |                            |                        |                            |
|      |                            |                        |                            |
|      |                            |                        |                            |
|      |                            |                        |                            |
|      |                            |                        |                            |
|      |                            |                        |                            |
|      |                            |                        |                            |
|      |                            |                        |                            |